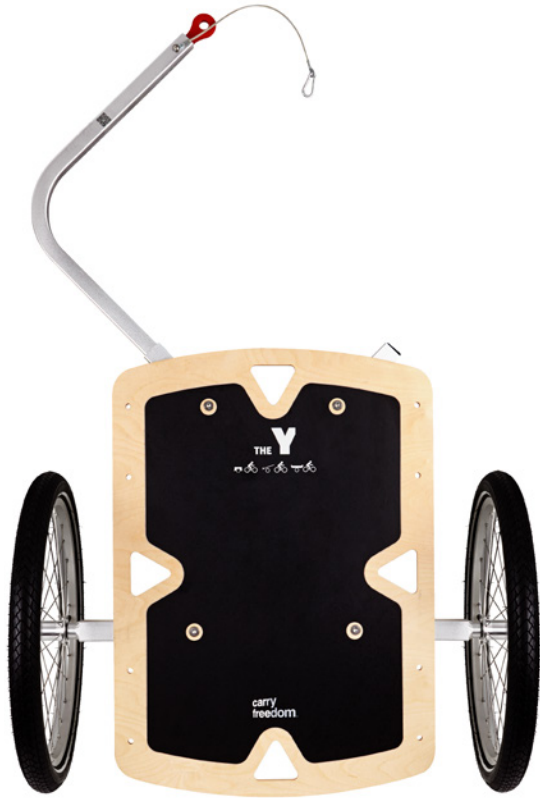


MANUAL

english

THE Y



carry
freedom
a bike trailer revolution

Y trailer small - maximum load 45 kg (100 lbs)

Y small - Hitch arm load (nose weight): min. 3 kg, max. 8 kg

Y trailer large - maximum load 90 kg (200 lbs), with Quick Release axle 50 kg

Y large - Hitch arm load (nose weight): min. 3 kg, max. 10 kg



Y Manual

Welcome...

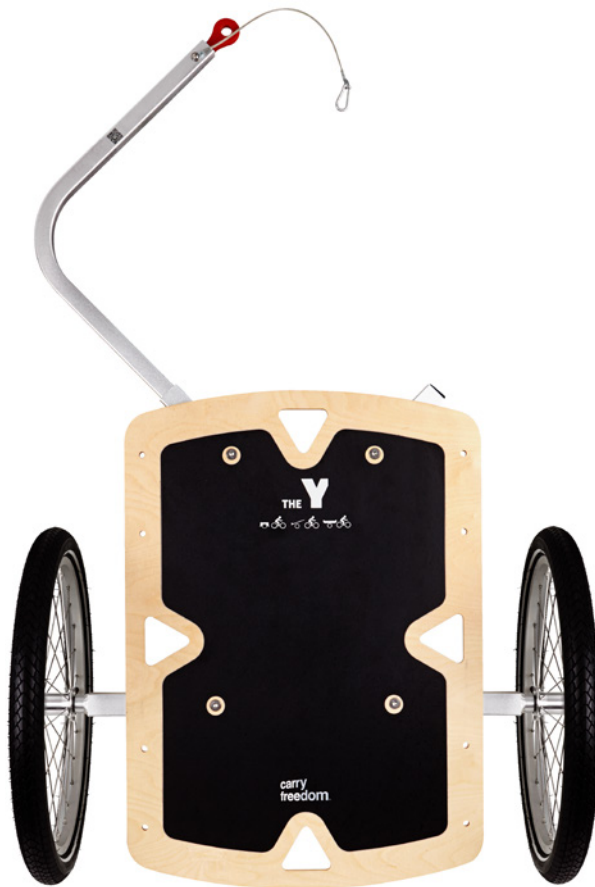
Thank you for buying a Carry Freedom trailer. These instructions will help you get the most out of your new Y trailer.

Read these instructions carefully before use.

IMPORTANT:

It is your responsibility to understand these instructions. We do not accept responsibility for how you use, modify, ride, or load the trailer. You must decide if what you are doing with the trailer is safe, within your ability, and within the law.

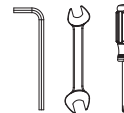
Please check your highway laws concerning bicycles and trailers.



Parts List

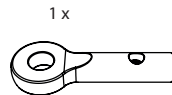
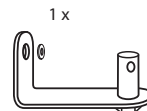
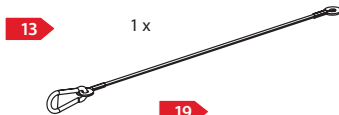
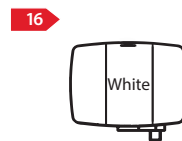
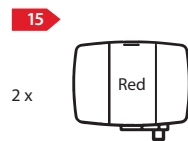
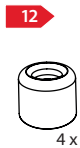
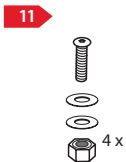
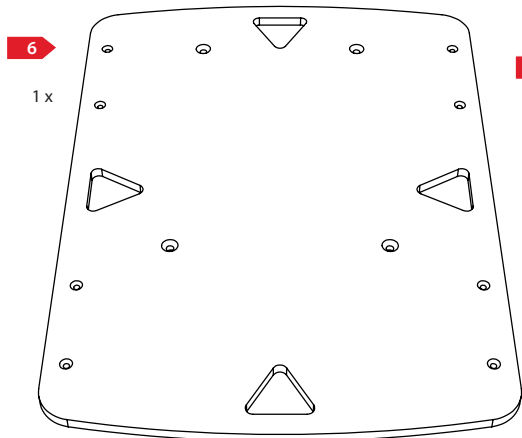
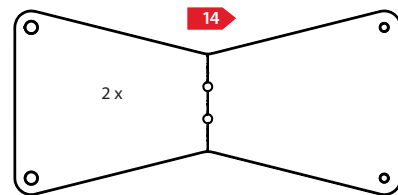
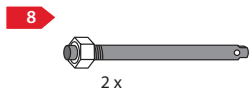
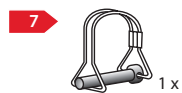
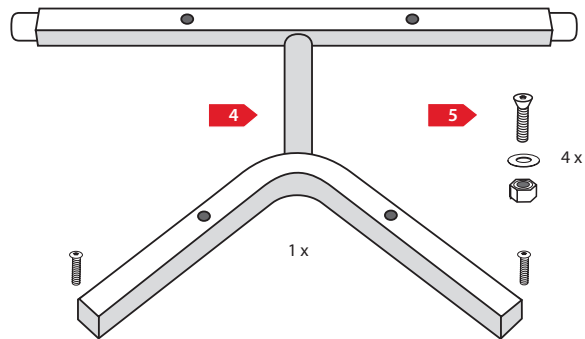
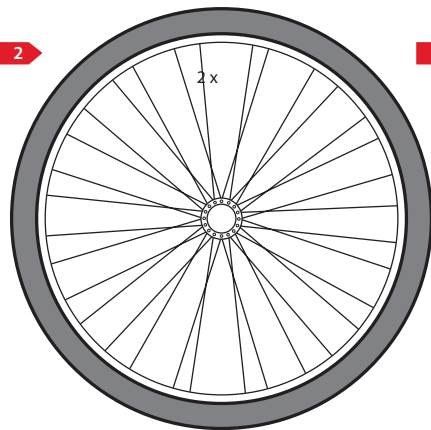
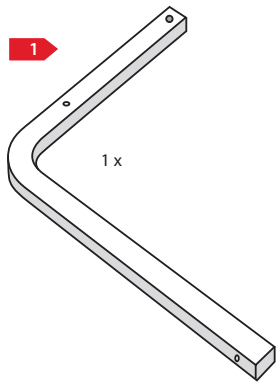
- 1 1 x tow arm
- 2 2 x wheel
- 3 2 x velcro load strap
- 4 1 x frame and clamp bolts
- 5 4 x load bed bolt, nut & washer
- 6 1 x load bed
- 7 1 x safety pin for the chassis
- 8 2 x QR wheel axle
- 9 2 x hub cap
- 10 2 x rubber axle ring
- 11 4 x box QR bolt, nut & washer
- 12 4 x box QR feet
- 13 1 x safety strap
- 14 2 x deflection device with bolts, nuts and washers
- 15 2 x rear reflector with fixing screw
- 16 2 x front reflector with fixing screw
- 17 1 x bike bracket with QR washer
- 18 1 x lollypop elastomer hook with screw/nut/washer and safety pin
- 19 1 x tube cap for frame
- 20 1 x grease for wheel axle

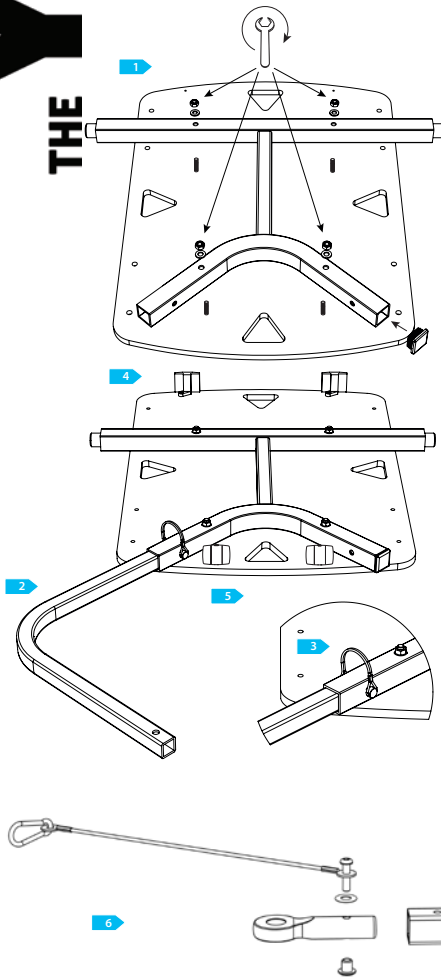
Tools needed for assembly



- 1 x allen key 4 mm / 5 mm / 6 mm
- 1 x wrench 10 mm
- 1 x wrench 13 mm
- 1 x Philips screwdriver







Assembly - Load Bed and Tow Bar (GB)

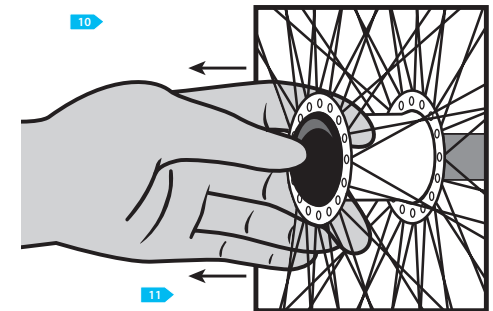
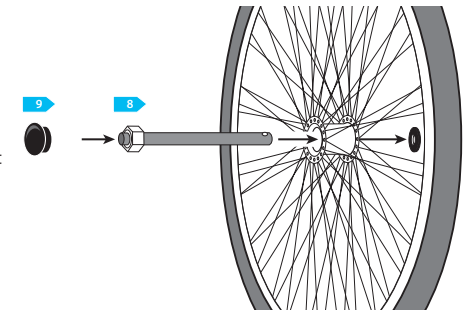
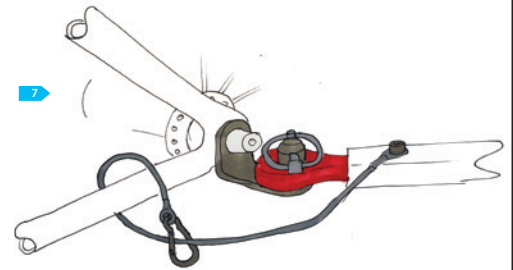
- 1 Fix the frame to the load bed, using the bolts, washers and nuts provided (#5). The frame is attached to the non-griptaec side of the loadbed.
Important: We also suggest a drop of oil on the thread to make the assembly easier.
- 2 Slide the tow bar (#1) into the main frame (#4) until its hole aligns with the frame hole.
- 3 Slide the safety pin (#7) through the frame and tow bar handle and secure. The tow bar can also be fixed to stop noise using the clamp mechanism on the frame.
- 4 Screw the two red reflectors (#15) to the load bed.
- 5 Screw the two white front reflectors (#16) to the load bed.
- 6 Fit the red lollypop elastomer (#18) with the safety strap (#13) to the tow bar end with the screw, washer and binder bolt.
- 7 The safety strap (#13) is used as in drawing 7.

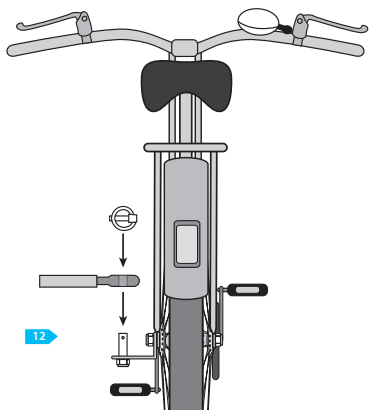
The deflection device (#14) consists of two black plastic wings. Bend them and bolt them to the right and left side of the load bed using the bolts and nuts in the box. The deflection device should be assembled under the load bed. See drawing 13

Assembly - Wheel to Frame

- 8 Check the the tires to determine the left and right side wheel. Push the button on the end of the axle (#8), and insert into the wheel. The rubber ring (#10) on the axle fits between the hub and the frame. This ring stops water getting into the bearings and helps against trailer noise.
- Important!*
Grease the axle before inserting into the frame (#20)
- 9 Insert a rubber hub cap (#9) to cover the axle end.
- 10 Push the hub cap and insert the wheel into the trailer.
- 11 Pull at the wheel to ensure it is secure. If not see Adjusting axle length on Page 6.

The rubber hub caps can fall out but this does not shorten the bearing life of the wheel, as the inside bearing has the most strain. Secure the caps with a drop of super glue or by using a zip tie between two opposing spokes.





12

Hitch

- 12 The bike bracket (#16) for your trailer is fixed permanently to your bike. The trailer hooks to this, and is secured by a pin. The bike bracket will fit almost all axle types, both threaded and quick release.

This bracket uses your existing quick release skewer or wheel axle. Avoid removing any existing washers or springs of the bike axle assembly. A washer to centralise the QR axle on the bike bracket is included.

- 13 The trailer is now assembled. See drawing 13 below.

IMPORTANT: Make sure there is at least 4 mm thread on your QR skewer or threaded axle. And use the safety strap as shown in drawing 6.

Be careful that the hitch does not affect the function of the axle assembly.

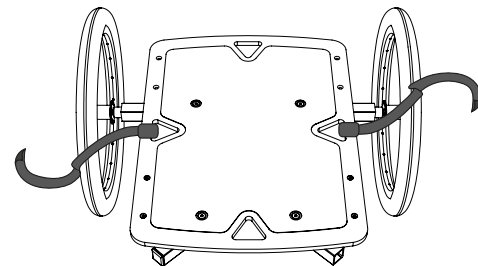
IMPORTANT: After cycling for 1 km inspect the hitch to make sure it is secure, has not twisted, and the wheel has not moved.

Loading the Y

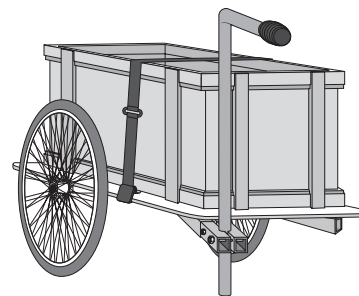
The Y trailer can accept most loads. You can bolt containers directly to the frame or load bed, strap things down, or fit a box with our box quick release system.

- 14 **Loading directly** - Any load can be tied down onto the anti slip surface of the load bed. The four holes in the load bed can be used as tie down points, as can the aluminium frame below the load bed. Regularly check the load is secure and has not slipped.

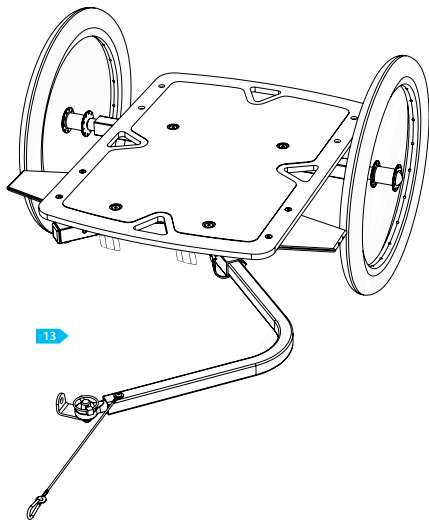
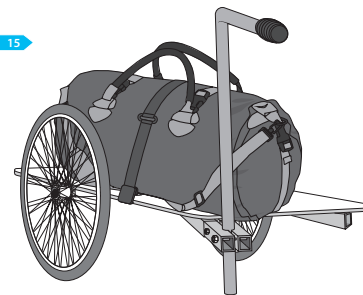
- 15 **Bags** - Most bags or suitcases can be strapped directly to the load bed using the enclosed straps. **Waterproof Ortlieb Rack Packs** can clip directly to the load bed, the 48 l for the Y small, and the 90 l for the Y large. Carradice of Nelson make a special **Y-Bag for Carry Freedom Y small**. See www.ortlieb.com or www.carryfreedom.com for more details.



14



15



13



Boxes

Many flat bottomed boxes will fit. The maximum normal box footprint is around 450 x 900 mm for the Y small and 600 x 900 mm for the Y large.

1/4 Euro Pallet boxes are 60 cm long and 40 cm wide and fit the small Y trailer.

1/2 Euro Pallet boxes are 80 cm long and 60 cm wide and fit the large Y trailer.

A box can be bolted permanently to the Y or fitted with our box quick release. The center of the box should lie ahead of the trailer axle, and the front of the box must be clear of your bicycles wheel.

To fit a box permanently secure it, in at least four points, as close to its corners as practical. Boxes may need penny washers fitted to stop the bolt pulling through the box's base. Secure weak boxes to the load bed, strong boxes may be bolted directly to the frame.

Box Quick Release

This simple system allows flat bottomed hard body boxes to attach and detach from the Y trailer quickly and easily.

Fitting

16 The load bed should be positioned so that the box sits centrally between the two wheels. Mark the rough centre of the load beds four holes.

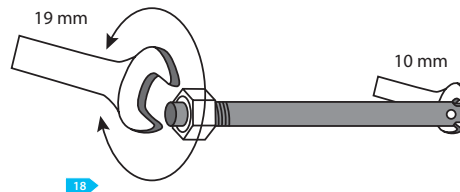
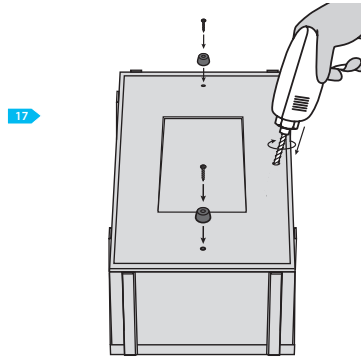
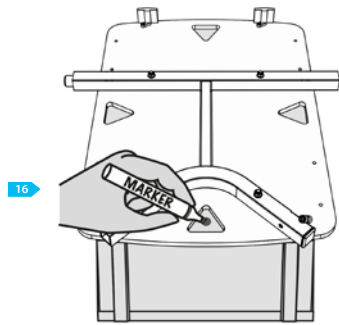
17 Remove the trailer and drill four 6mm holes. Bolt the location feet to the box using the following sequence:

IN bolt-washer-box-washer-foot-nut OUT

Using

Fit the two load straps to the left and right load bed holes. Place the box so the four feet sit in the four load bed holes. Secure the box with the straps.

The straps will retain any lid on the box.



Loading Rules

IMPORTANT: Do not carry more than 90 kg (200 lbs) of luggage when cycling. Anything higher is too heavy for your bicycle brakes to stop effectively. Make sure the load is distributed evenly. Keep the trailers centre of gravity lower than 60 cm, and in front of the trailer axle. Too far forward and hitch will be overloaded. Too far back and the trailer will lose traction on the road.

The hitch-arm load (nose weight) must be within this range: 3 kg to 8 kg (Y small) - 3 kg to 10 kg (Y large)

Cycle slower, as you carry more and always make sure your load is secure, and that nothing can catch in the wheels, or drag on the ground.

Adjust tyre pressures to match the load, higher pressures for heavier loads. 30 psi is normally about right. If the trailer is bouncing or skipping as you ride along the tyre pressure is too high.

No rigid load should be closer than 25 mm to any wheel, and no flexible load should be closer than 50 mm to any wheel.

IMPORTANT: Never use the trailer to carry children or live animals.

Adjusting axle length

18 If an axle is too short the wheel and axle will fall off, if the axle is too long the wheel will rattle against the frame, it is better to be too long than too short.

To adjust the axle length, fit a 10 mm spanner to the flats at the end of the axle and a 19 mm spanner to the lock nut at the other end. Twist the lock nut to lengthen or shorten the axle. Adjust by small increments only, checking the axle in the frame until it's secure and does not rattle excessively. This is important when using the small rubber washers we include to reduce noise and to protect the bearings.

Recheck the length at regular intervals.

Maintenance...

IMPORTANT:

The Y trailer needs very little maintenance, however its reliability and length of service can be dramatically improved by the following:

DO THIS:

Clean and grease the axle shafts, or else they rust in place.

NEVER DO THIS:

Never store the trailer with axles in the frame, condensation can cause them to rust in place.

NEVER DO THIS:

Never grease or oil the hitch. Grease attracts grit and shortens the hitches life.

DO THIS:

Check wheel condition regularly.

DO THIS:

Check to see if the red Lollypop on the hitch is in good condition, are there any tears?

DO THIS:

Check regularly if any of the nuts or bolts on the trailer are loose?

DO THIS:

Inspect often for any signs of damage to the frame or load bed.

Warning: Read this before use!

Your bike

Make sure your bike is suitable for use with this trailer. Check your bicycle manual to see if trailer use has been excluded. If you are not sure, **contact your local bicycle dealer.**

Check your bike, your trailer and especially your brakes before every journey.

Trailer use

Be warned that you need to be careful: Bikes handle differently when pulling a trailer. The braking distance will be longer than usual, especially when the road is wet. The space needed to turn a corner will be more than you are used to.

Lights and reflectors

We sell Carry Freedom Trailers throughout the world. In the global market there are many laws and regulations about lights and reflectors. We have tested the trailers against the German Law on lights and reflectors. The German Law is one of the toughest, so we think this will work in many other countries **BUT** you must check your transport laws in your country and change any reflectors that do not conform to the law.

The deflection device and the safety strap are not required by law throughout the world. They do make a lot of sense, so we suggest you use them. You are responsible for using them when mandatory.

Safety first

The Y trailer has been tested and conforms to the European DIN EN 15198 for bicycle load trailers. The testing was done by velotech.de in Germany.

Remember! A lot of commonsense should be used when carrying loads. Be safe and have fun!

Options ...

Handcart Handle - for Y trailer (small and large): An adjustable handle that pins to the right hand Y trailer arm. This allows you to walk with the Y trailer while keeping the load bed level. It does not need to be removed for cycling. The handle also has a foot to keep the trailer level.

Extension Arm - Long Arm for towing bicycles, surfboards, canoes and kayaks. Available in two lengths: a) +0.5 m for loads up to 1.8 m (about 5 ft 10) long
b) +0.9 m for loads up to 2.5 m (about 8 ft 2) long
Comes with a Lollypop Elastomer and safety splint. Replaces the standard Y trailer tow bar.

Looong Arm for towing bicycles, surfboards, canoes and kayaks up to 6 meters (19 ft 8) long. Comes with 2 x 1.5 meter (4 ft 11) long tow bars, which bolt together to make the tow bar 3 meters (9 ft 10) long. These 2 bars can be cut down for specific use.

Wide Axle Beam - Will bolt to any existing Y trailer (without any modification needed) to give an axle beam width of 85 or 105 cm. The normal width is 50 cm for the Y small and 65 cm for the Y large. Mainly used for Kayaks and canoes when extra width is needed.

Y-Surf - Fits on a Y Large Trailer. Can carry surf or paddle boards, kayaks, ladders or even a cello. Longer loads may need a longer tow arm.

Fender Set - The heavy duty fenders, made of sheet aluminium, fit the Y large and are perfect for those needing rain protection in hardcore situations.

The Touring Fenders are made of plastic and curved so that the water does not spray to the side. These are available for both Y small and large. All fenders can be retro fitted to older trailers.

Folding boxes - The Carry Freedom folding box is robust and versatile. It folds small when not in use. It's perfect for that shopping trip.



THE Y

There are a lot more options for your Y trailer:

Flag and rear light holder which can be retrofitted on all Y trailers.

Kayak holder - Fits to the load bed of the Y large.

Tow arm for the Weber hitch.

Trailer Snake - to join more than one Y trailer together.

Also check out the other trailers in the Carry Freedom portfolio:

The LEAF - a shopping travel trailer, light and foldable.

Contact: USED GmbH - Am Bahnhof 3
49610 Quakenbrück - Germany
Tel. +49 (0)5431-9089980 - info@carryfreedom.com



Our trailers are ...

Efficient

A bicycle trailer is more efficient than a rucksack or panniers. Trailers isolate your bike from the load so you don't waste energy wiggling the load.

Safe

A bicycle towing a bicycle trailer handles normally. It corners predictably, and remains manoeuvrable.

Practical

Bicycle trailers are easier to live with. They're easy to pack, convenient to hitch, and light to walk with. Our trailers also flatten easily for storage.

Alternative

A bike/trailer combination is a good addition to your car and public transport, offering another way to carry.

Car Free

Every journey with a trailer is a journey without a car. By making "stuff carrying by bike" easy, we encourage more cycle journeys. Frequently our trailers are the last step for people to stop depending on their car.

Need more information?

Go to the website

At www.carryfreedom.com you will find this and more:



Technical Information

We try to cover all your questions and have a large FAQ. Also check the **Downloads Page**. Contact us if anything is still unclear.

Blog

Read about all the weird and wacky things that happen here at Carry Freedom. See who is travelling the world, climbing the mountains and riding the waves on a bike with a Carry Freedom trailer.

Dealer list

Find out where your nearest dealer is.

History

Read about how the company started in a chicken shed on a farm not far from Glasgow, Scotland. And how it grew.

Environment

Learn about how Carry Freedom and USED support projects and people that are changing the world. Car Free is not just a slogan, it's a philosophy.

Thanks for listening!



German Bike Magazine
Best price / performance ratio



UK Bike Magazine
Best buy



UK Bike Magazine
Best product award



ISPO Munich
Brand New Award

VSF..Ethikpreis

German independent bicycle group
Ethic award for Bamboo Trailer